

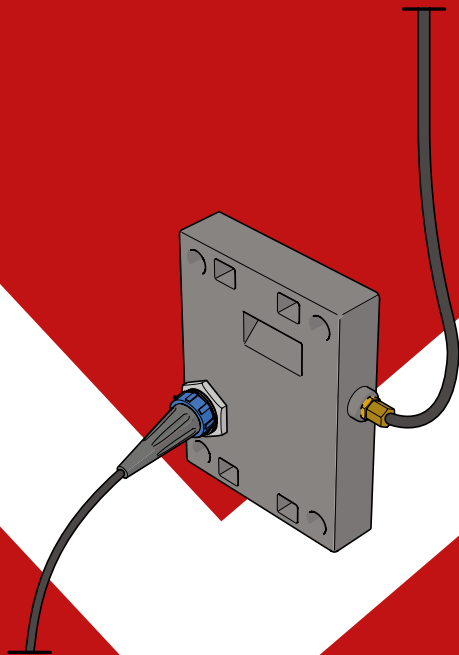
# LONG RANGE COORDINATOR ROUTER

Model WIB2100

## User Manual

English (US/NZ)

Español



**COWMANAGER®**

AHEAD OF THE HERD TOGETHER

# CONTENTS

---

<b>1</b>	<b>PRODUCT DESCRIPTION</b>	<b>3</b>
1.1	Intended Use	3
1.2	Symbols and Markings	3
1.3	Main Parts	4
1.4	Typeplate	5
1.5	Technical Specifications	5

---

<b>2</b>	<b>SAFETY WARNINGS</b>	<b>7</b>
----------	------------------------	----------

---

<b>3</b>	<b>INSTALLATION</b>	<b>9</b>
3.1	Important installation notes	9
3.2	Installation Instructions	10

---

<b>4</b>	<b>MAINTENANCE</b>	<b>13</b>
----------	--------------------	-----------

---

<b>5</b>	<b>TROUBLESHOOTING</b>	<b>14</b>
----------	------------------------	-----------

---

<b>6</b>	<b>DISPOSAL</b>	<b>15</b>
----------	-----------------	-----------

---

<b>7</b>	<b>COMPLIANCE</b>	<b>16</b>
7.1	FCC and IC Declarations	16
7.2	Approvals	18

# 1 PRODUCT DESCRIPTION

## 1.1 Intended Use

The WIB2100 (further referred to as long range coordinator/router) is part of the CowManager system and is used to establish the wireless connection between the CWS (further referred to as ear sensor) that is attached to the cow's ear, and the PC/laptop with the CowManager Control Centre installed. The long range coordinator/router can be configured to act as a coordinator or router in the network. A coordinator, or long range coordinator is always required because this device functions as a base station. If the distance, with free line of sight, between the ear sensor and (long range) coordinator becomes too large (> 100m for the coordinator and > 300m for the long range coordinator), extra (long range) routers or (long range) solar sets can be added and installed nearby the location of the ear sensors.

## 1.2 Symbols and Markings

The approval overview can be found in the back of this booklet.



Disposal of the long range coordinator/router; please do not throw away the long range coordinator/router with the general household waste. Please use the designated separate collection system for those products (e.g. small electronics).

IP67

Ingress protection code is 67. IP67 means a device offers complete dust protection (the '6') and resistance to temporary water immersion (the '7'), specifically up to 1 meter deep for up to 30 minutes, making it suitable for dust-prone areas and accidental spills or submersion.



Indicates a general warning, proceed with caution.



Indicates a hazardous situation which, if not avoided, could result in death or serious injury.

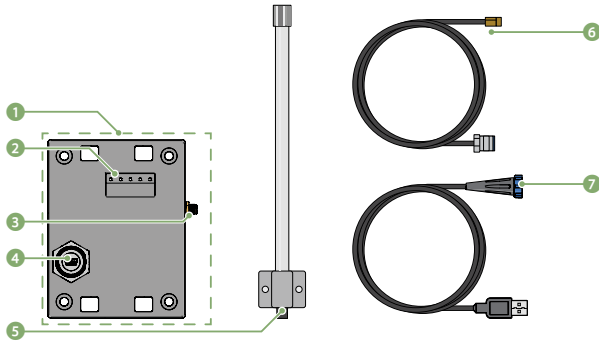


Indicates useful information regarding the (use of the) product.

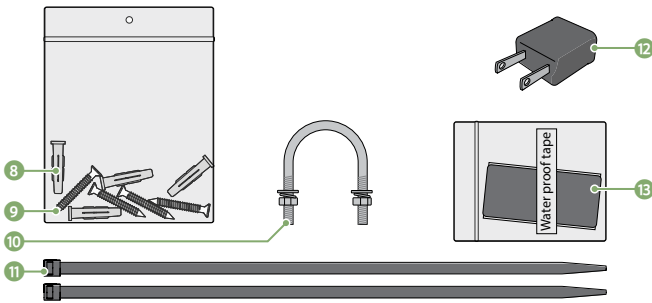


Instructions or manual **must** be read.

## 1.3 Main Parts



## Accessories



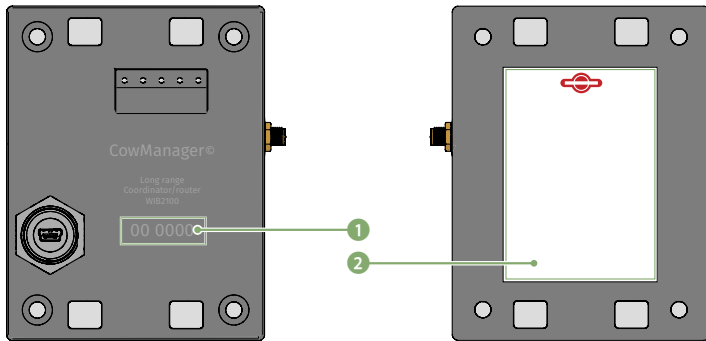
- |   |  |
|---|--|
| 1 Long range coordinator/router (WIB2100) | 8 Plugs (4×)                                       |
| 2 LED indicators                          | 9 Screws (4×)                                      |
| 3 Antenna connector                       | 10 Antenna mounting U-bracket                      |
| 4 USB input                               | 11 Mounting zip ties (2×)                          |
| 5 Antenna                                 | 12 USB A wall inlet adapter (regionally dependant) |
| 6 Coax cable (5m)                         | 13 Waterproof tape                                 |
| 7 Mini to USB A cable (3m)                |  |

### CowManager part numbers

Long range coordinator/router WIB2100	CM002036
Screws and plugs	CM4004024

## 1.4 Typeplate

Every long range coordinator/router has a unique serial number. This number is located at the front of the long range coordinator/router.



1 Serial number

2 Certification marks

i Remark: The real serial number is longer than the two letters and six digits that are displayed on the front. The number starts with “0000F00000” but since that part is generic for all long range coordinator/routers, this has been omitted.

## 1.5 Technical Specifications

Parameter	Value	Unit
<b>Power</b>		
Supply voltage	5	V
Supply current	Average 70, Peak 400	mA
Supply source	USB interface	-
<b>Wireless</b>		
Standard	IEEE802.15.4a	-
Operational frequency	2405 / 2480	MHz
Operating Zigbee channel (default)*	11	-
Modulation	OQPSK	-
Transmission power (New Zealand)	25	dBm
Transmission power (United States)	20	dBm
Antenna polarization	Omnidirectional	-
Range of router-router RF link (outdoor, free line of sight)	2000 / 6500	m / ft

<b>Parameter</b>	<b>Value</b>	<b>Unit</b>
<b>Environmental</b>		
Environmental protection level / IP rating	IP67	-
Operating temperature	-20 – 40	°C
	-4 – 104	°F
Operating relative humidity	10 – 95	%RH
Storage temperature	0 – 40	°C
	32 – 104	°F
<b>Physical</b>		
Dimensions	109 × 84 × 19	mm
Weight	271	g

\*The operating channel of the long range coordinator/router cannot be changed and is always set to 11.

## 2 SAFETY WARNINGS

### WARNING

Failure to follow these instructions may result in damage to the device or improper operation.

- The long range coordinator/router is intended for communication with CowManager ear sensors and other CowManager products only.
- Install and use the long range coordinator/router according to the installation instructions in this manual.
- Always install the long range coordinator/router following local laws and regulations regarding lightning protection, fire safety (near wooden structures), and aerospace interference.
- Notify helicopter and airplane pilots regarding the antenna locations.
- Make sure that in the final installation location the long range coordinator/router does not interfere with (moving) irrigation systems.
- Never switch on the long range coordinator/router without the antenna attached. Switching on the device without the antenna installed can cause severe product damage.
- Use CowManager-supplied parts and accessories only.
- Do not modify or alter the long range coordinator/router in any way. Modification may affect safety, performance, and regulatory compliance.
- Do not crush, disassemble, or apply excessive mechanical force to the long range coordinator/router.
- To prevent damage, do not soak or immerse the long range coordinator/router in any liquid solution.
- Use the specified power supply only (USB power or the supplied power adapter, depending on configuration).
- The long range coordinator/router/solar set is equipped with an internal lithium battery. Do not attempt to replace the internal battery. Always contact CowManager in case of battery failure. Breaking the seal voids all warranty.
- Do not use the long range coordinator/router if cables, connectors, or the antenna are damaged.
- For cleaning of the long range coordinator/router follow the instructions as described in Chapter 4. **Maintenance**.

- Do not expose the long range coordinator/router to excessive heat (above 40°C / 104°F) or excessive cold (below -20°C / -4°F).
- Operate the long range coordinator/router only within the environmental conditions specified in this manual.
- Take care of cables and connectors when transporting the long range coordinator/router. Failing to do so, may damage cables or connectors, which leads to a failing device.
- Keep all cables connected when transporting the long range coordinator/router to avoid moisture and corrosion on connectors.

# 3 INSTALLATION



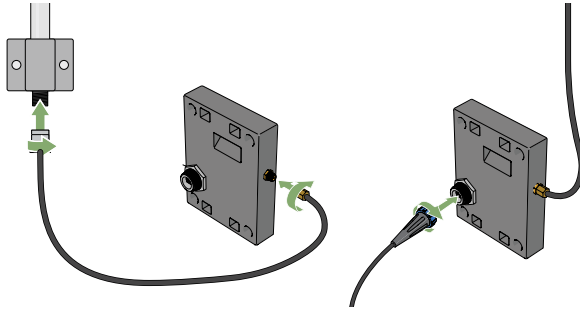
Details regarding the installation of the CowManager system, can be found in the CowManager System Installation Manual. Scan the QR code to see the complete CowManager System Installation Manual online.

## 3.1 Important installation notes

- i To be able to use the long range coordinator/router, it must be activated and configured in your CowManager Control Centre first. Make sure the antenna of the long range coordinator/router is connected before configuring the device. Details regarding activation of the long range coordinator/router can be found in the CowManager System Installation Manual.
  
- The length of the supplied USB cable is **3 meter (10ft)** for a long range coordinator/router. The use of USB extension cords and secondary USB hubs is not allowed for functional reasons!
- Both the blue ring on the USB cable and the connector to the antenna must be securely tightened by hand. **Do not use pliers to tighten.**
- A long range coordinator always needs to stay attached to the PC/laptop! This PC/laptop makes sure that the coordinator is powered, and the data received by the ear sensors and router(s) in the network will be collected and processed. Make sure that the PC/laptop is always switched on, connected with the internet and that the sleep mode is disabled in Windows
- To have the best signal coverage the long range coordinator/router antenna must be placed approximately **4.5 meters (15ft)** above the ground.
  - For the best connection, make sure there is a free line of sight to other devices with the antenna pointing in the upwards position.
  - Make sure there is a distance of at least **1 meter (3.3ft)** between the roof and the antenna.
- In case of a router installation, the supplied power adapter must be used as power supply.
- The supplied screws and cable ties can be used for mounting the long range coordinator/router.
- Waterproof the coax cable with the supplied waterproof tape.

## 3.2 Installation Instructions

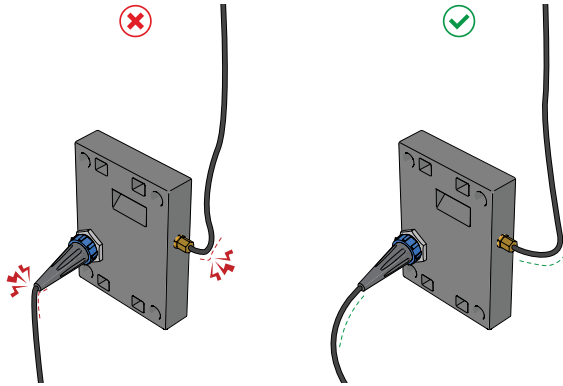
---



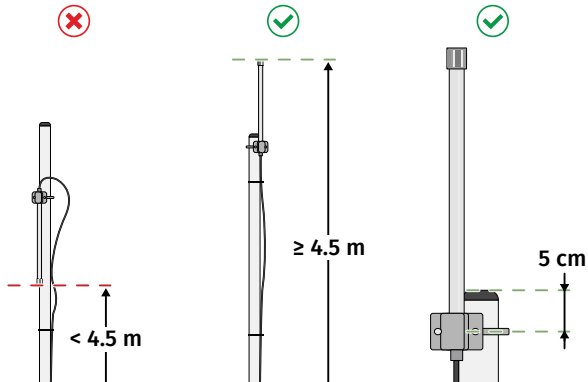
1. Screw the antenna onto the supplied coax cable.
2. Screw the other end of the coax cable onto the WIB2100 device. **Tighten by hand, do not use pliers.**
3. Plug in and screw on the USB cable. **Tighten by hand, do not use pliers.**
4. Mount the antenna 4.5 meter (15ft) high on an antenna pole.
5. Plug the USB A end of the USB cable into the power adapter and plug the power adapter in a nearby power outlet.

## Examples of correct and wrong installations

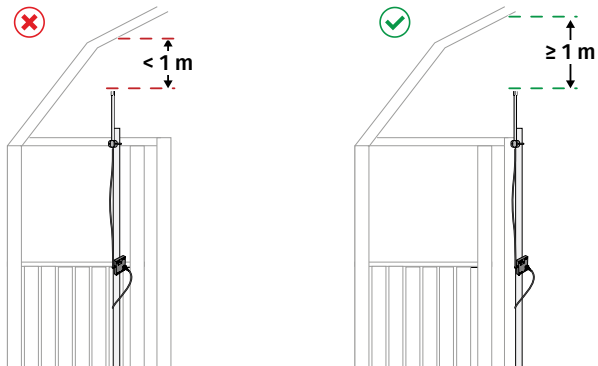
Avoid sharp bends of the cables.







Place the antenna at 4.5 meter (15ft), pointing upwards.



When installed indoors, always place 1 meter (3.3ft) away from the roof.



### Meaning of the LEDs on the long range coordinator and long range router

LED colour	LED status	Long range coordinator	Long range router
	On	Power	Power
	On	Registering of ear sensors	
	Blinking		Attempting to find another (long range) router or (long range) coordinator
	Fast blinking		Too much data received, risk of data loss
	On	Active connection with a (long range) router	Another (long range) router is connected
	On	Active connection with a PC	Active connection with a (long range) coordinator or (long range) router
	Blinking	Connection lost	Connected to another (long range) router, but not to (long range) coordinator (yet)
	Fast blinking		Connection lost, trying to reconnect
	On	Long range coordinator activated, but no active connection	No active connection
	Blinking	Sending through data	Sending through data

## 4 MAINTENANCE

The long range coordinator/router is moulded in waterproof material, as is the blue USB connector on the cable. The device can be placed outside and is rain-proof when the USB cable and antenna are connected correctly. In case cleaning is required:

- Always handle the long range coordinator/router with care.
- Leave the antenna and USB cable connected to avoid water entering the connectors.
- The long range coordinator/router should not be submerged.
- Always use water without additives, with a maximum temperature of 40°C (104°F), and a soft brush.
- Do not dry the long range coordinator/router in an oven or microwave but always use a cloth.

# 5 TROUBLESHOOTING



For troubleshooting related to system setup, network design, PC configuration, or overall CowManager performance, please refer to the CowManager System Installation Manual, available at [cowmanager.com/downloads](http://cowmanager.com/downloads)

If communication is not working as expected, check the following:

## **Antenna position**

The antenna is not in the vertical up position. See “Installation instructions”.

Ensure that the antenna is firmly attached and positioned vertically upwards. Incorrect antenna positioning can significantly reduce signal strength.

## **Power supply**

- Verify that the coordinator/router is receiving power. Indicated by the red light.
- For a coordinator, confirm that the USB cable is securely connected to the PC/laptop.
- For a router, ensure the supplied power adapter is used and properly connected.

## **Cables and connectors**

Inspect the USB cable, antenna connection, and connectors for damage, loose fittings, corrosion, and/or sharp bends.

## **LED indicators**

Check the LED status on the device and compare it with the LED descriptions in this manual to determine the current operating state of the coordinator/router.

## **Environmental conditions**

The coordinator/router operates within a temperature range of -20 °C (-4° F) to 40°C (104° F). Operation outside this range may reduce performance or cause permanent damage.

## **Device malfunction**

If the device does not function as expected after performing the checks above, the coordinator/router may be defective. To confirm this please attach the device to the pc and reconfigure if the device is not visible reach out to [support@cowmanager.com](mailto:support@cowmanager.com)

## 6 DISPOSAL



The long range coordinator/router is marked with this symbol. It means that electrical and electronic products should **not** be mixed with general household waste. There is a separate collection system for these products.



**Attention:** If you want to dispose of this device, please take this product to electronic waste collection points. Disposing of this product correctly will help save valuable resources and prevent any potential negative effects on human health and the environment, which could otherwise arise from inappropriate waste handling. Please contact your local authority for further details of your nearest electronic waste collection point.

# 7 COMPLIANCE

The WIB2100 is in conformity with the RoHS Directive 2011/65/EU.

Operation is subject to the following two conditions:

1. this device may not cause harmful interference, and
2. this device must accept any interference received, including interference that may cause undesired operation.

## 7.1 FCC and IC Declarations

### **Federal Communication Commission (FCC) statements**

This equipment has been tested and found to comply with the limits for a class A digital device, pursuant to part 15 of the FCC Rules. These limits are designed to provide reasonable protection against harmful interference in a residential installation. This equipment generates, uses, and can radiate radio frequent energy and, if not installed and used in accordance with the instructions, may cause harmful interference to radio communications. Operation of this equipment in a residential area is likely to cause harmful interference in which case the user will be required to correct the interference at his own expense. However, there is no guarantee that interference will not occur in a particular installation. If this equipment does cause harmful interference to radio or television reception, which can be determined by turning the equipment off and on, the user is encouraged to try to correct the interference by one or more of the following measures:

- Reorient or relocate the receiving antenna.
- Increase the separation between the equipment and receiver.
- Connect the equipment to an outlet on a different circuit to that which the receiver is connected.

47 CFR § 2.1077 Compliance Information	
<b>Supplier's Declaration of Conformity</b>	
Unique Identifier:	Y8K-WIB2100
Responsible Party - U.S. Contact Information:	CowManager USA N5841 State Hwy 47-55 Shawano, WI 54166 United States
<b>FCC Compliance Statement</b>	
<p>This device complies with Part 15 of the FCC Rules. Operation is subject to the following two conditions:</p> <ol style="list-style-type: none"> <li>1. this device may not cause harmful interference, and</li> <li>2. this device must accept any interference received, including interference that may cause undesired operation.</li> </ol>	

Any changes or modifications not expressly approved by the party responsible for compliance could void the user's authority to operate the equipment. To ensure compliance with FCC regulations, use only the shielded interface cables provided with the product, or additional specified components or accessories that can be used with the installation of the product. To comply with FCC and Industry Canada RF radiation exposure limits for general population, the antenna(s) used for this transmitter must be installed such that a minimum separation distance of 20 cm is maintained between the radiator (antenna) and all persons at all times and must not be co-located or operating in conjunction with any other antenna or transmitter.

**Warning (part 15. 21)**

Changes or modifications not expressly approved by the party responsible for compliance could void the user's authority to operate the equipment.

## 7.2 Approvals

Certification approval logo can be found on the product (see **Chapter 1.2 Symbols and Markings & 1.4 Typeplate**). In case of limited space, certification approval logo can be found on packaging according to regulations.

**Approval logo**



**Country**

**New Zealand (New Zealand, Aotearoa)**



FCC ID: Y8K-WIB2100

**United States (United States, Estados Unidos)**

# ÍNDICE

---

<b>1</b>	<b>DESCRIPCIÓN DEL PRODUCTO</b>	<b>20</b>
1.1	Uso previsto	20
1.2	Símbolos y marcado	20
1.3	Partes principales	21
1.4	Placa de identificación	22
1.5	Especificaciones técnicas	22

---

<b>2</b>	<b>ADVERTENCIAS DE SEGURIDAD</b>	<b>24</b>
----------	----------------------------------	-----------

---

<b>3</b>	<b>INSTALACIÓN</b>	<b>26</b>
3.1	Notas importantes relativas a la instalación	26
3.2	Instrucciones de instalación	27

---

<b>4</b>	<b>MANTENIMIENTO</b>	<b>30</b>
----------	----------------------	-----------

---

<b>5</b>	<b>SOLUCIÓN DE PROBLEMAS</b>	<b>31</b>
----------	------------------------------	-----------

---

<b>6</b>	<b>ELIMINACIÓN</b>	<b>33</b>
----------	--------------------	-----------

---

<b>7</b>	<b>CONFORMIDAD CON LOS REQUISITOS NORMATIVOS</b>	<b>34</b>
7.1	Declaraciones de conformidad con la normativa de la Comisión Federal de Comunicaciones de EE. UU. (FCC) y el Departamento de Industria de Canadá (IC)	34
7.2	Homologaciones	36

# 1 DESCRIPCIÓN DEL PRODUCTO

## 1.1 Uso previsto

El WIB2100 (en lo sucesivo denominado «el coordinador/rúter de largo alcance») forma parte del sistema CowManager y se usa para establecer una conexión inalámbrica entre el sensor de bienestar de las vacas (Cow Wellness Sensor, en lo sucesivo denominado «el sensor auricular»), que va acoplado a la oreja de la vaca, y el ordenador de sobremesa/portátil en el que está instalado el Centro de Control de CowManager. El coordinador/rúter de largo alcance puede configurarse para actuar a modo de coordinador o rúter en la red. En todos los casos se necesitará un coordinador, o un coordinador de largo alcance, ya que este dispositivo opera a modo de estación de base. Si la distancia, con un campo visual despejado, entre el sensor auricular y el coordinador (de largo alcance) fuese demasiado grande (>100 m en el caso del coordinador y >300 m en el caso del coordinador de largo alcance), se pueden añadir e instalar rúteres (de largo alcance) o conjuntos solares (de largo alcance) adicionales cerca de la ubicación de los sensores auriculares.

## 1.2 Símbolos y marcado

Puede encontrar una descripción general de la aprobación al final de este folleto.



Eliminación del coordinador/rúter de largo alcance: no arroje el coordinador/rúter de largo alcance a la basura doméstica general. Use los sistemas de recogida especial para estos productos (por ejemplo, pequeños electrodomésticos).

---

IP67

El grado de protección IP es 67. IP67 significa que el dispositivo ofrece protección completa contra el polvo (el número 6) y resistencia a la inmersión temporal en agua (el número 7), concretamente hasta 1 metro de profundidad durante un máximo de 30 minutos, por lo que el dispositivo es apto para zonas proclives al polvo y derrames o inmersiones accidentales.



Indica una advertencia general: actúe con cautela.

---

**⚠ ADVERTENCIA**

Indica una situación peligrosa que, de no evitarse, podría provocar la muerte o lesiones graves.

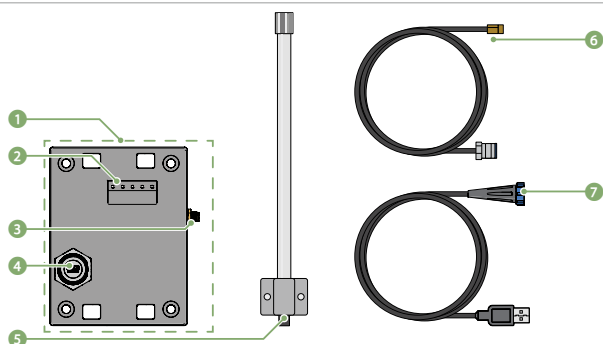


Indica información útil relativa al (uso del) producto.

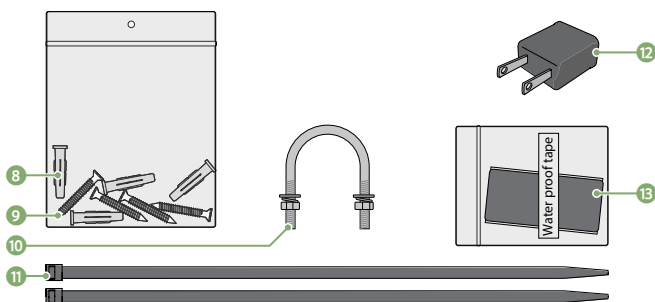


Es **obligatorio** leer las instrucciones o el manual.

### 1.3 Partes principales



### Accesorios



- |  |  |
|--|--|
| 1 Coordinador/rúter de largo alcance (WIB2100) | 7 Cable mini USB a USB A (3 m)   |
| 2 Indicadores LED                              | 8 Enchufes (x4)  |
| 3 Conector de la antena                        | 9 Tornillos (x4)   |
| 4 Entrada USB                                  | 10 Abrazadera en U para montaje de antena                                |
| 5 Antena                                       | 11 Bridas de montaje (x2)  |
| 6 Cable coaxial (5 m)                          | 12 Adaptador de toma de pared con puerto USB A (en función de la región) |

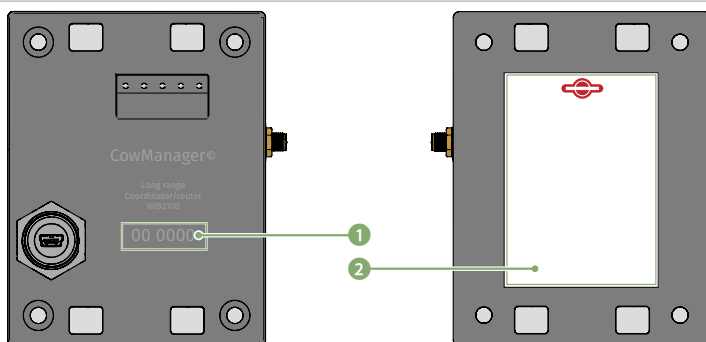
### 13 Cinta impermeable

#### Números de pieza de CowManager

Coordinador/rúter de largo alcance WIB2100	CM002036
Tornillos y enchufes	CM4004024

## 1.4 Placa de identificación

Cada coordinador/rúter de largo alcance tiene un número de serie único. Este número se encuentra en la parte delantera del coordinador/rúter de largo alcance.



1 Número de serie

2 Marcas de certificación

i Nota: El número de serie real es más largo que las dos letras y seis dígitos que aparecen en el frontal. El número empieza por «0000F00000»: pero, como esa parte es común a todos los coordinadores/rúteres de largo alcance, se ha omitido.

## 1.5 Especificaciones técnicas

Parámetro	Valor	Unidad
<b>Alimentación</b>		
Tensión de entrada	5	V
Corriente de alimentación	Media 70, pico 400	mA
Fuente de alimentación	Interfaz USB	-
<b>Conexión inalámbrica</b>		
Estándar	IEEE802.15.4a	-
Frecuencia operativa	2405 / 2480	MHz
Cómo operar el canal Zigbee (predeterminado)*	11	-
Modulación	OQPSK	-

<b>Parámetro</b>	<b>Valor</b>	<b>Unidad</b>
Potencia de transmisión (Nueva Zelanda)	25	dBm
Potencia de transmisión (Estados Unidos)	20	dBm
Polarización de antena	Omnidireccional	-
Alcance del enlace de radiofrecuencia (RF) entre rúteres (exterior, línea recta sin obstáculos)	2000 / 6500	m
<b>Aspectos medioambientales</b>		
Nivel de protección medioambiental/ grado de protección IP	IP67	-
Temperatura de funcionamiento	-20 – 40	°C
	-4 – 104	°F
Humedad relativa de funcionamiento	10 – 95	% HR
Temperatura de almacenamiento	0 – 40	°C
	32 – 104	°F
<b>Características físicas</b>		
Dimensiones	109 × 84 × 19	mm
Peso	271	g

\*No se puede modificar el canal de funcionamiento del coordinador/rúter de largo alcance, que se mantendrá en el número 11 en todo momento.

## 2 ADVERTENCIAS DE SEGURIDAD

### ▲ ADVERTENCIA

Si no se siguen estas instrucciones, se pueden provocar daños al dispositivo o un funcionamiento incorrecto.

- El coordinador/rúter de largo alcance está diseñado para la comunicación exclusivamente con los sensores auriculares CowManager y otros productos CowManager.
- Instale y use el coordinador/rúter de largo alcance de acuerdo con las instrucciones de instalación del presente manual.
- Instale siempre el coordinador/rúter de largo alcance de acuerdo con la normativa local en materia de protección contra rayos, seguridad contra incendios (en proximidad de estructuras de madera) e interferencias aeroespaciales.
- Informe a los pilotos de helicópteros y aviones acerca de las ubicaciones de las antenas.
- Asegúrese de que la ubicación definitiva de la instalación del coordinador/rúter de largo alcance no interfiera con los sistemas de riego (móviles).
- Nunca encienda el coordinador/rúter de largo alcance sin haberle acoplado la antena. Encender el dispositivo sin tener la antena instalada puede provocar daños graves al producto.
- Use exclusivamente las piezas y los accesorios suministrados por CowManager.
- No modifique ni altere el coordinador/rúter de largo alcance de ninguna forma. Cualquier modificación puede afectar a la seguridad, el rendimiento y el cumplimiento normativo.
- No aplaste, desmonte ni aplique una fuerza mecánica excesiva al coordinador/rúter de largo alcance.
- Para evitar daños, no moje ni sumerja el coordinador/rúter de largo alcance en ningún tipo de solución líquida.
- Use exclusivamente la fuente de alimentación eléctrica especificada (alimentación por USB o adaptador de corriente suministrado, dependiendo de la configuración).
- El coordinador/rúter/conjunto solar de largo alcance está equipado con una batería interna de litio. No intente sustituir la batería interna. Si la batería está defectuosa, contacte siempre con CowManager. La rotura del precinto anulará la garantía.
- No use el coordinador/rúter de largo alcance si los cables, los conectores o la antena están dañados.
- Para limpiar el coordinador/rúter de largo alcance, siga las instrucciones descritas en el capítulo **4. Mantenimiento**.

- No exponga el coordinador/rúter de largo alcance a un calor excesivo (por encima de 40 °C) o frío excesivo (por debajo de -20 °C).
- Use el coordinador/rúter de largo alcance solo en las condiciones ambientales especificadas en este manual.
- Tenga cuidado con los cables y conectores al transportar el coordinador/rúter de largo alcance. De lo contrario, podrá dañar los cables o conectores y, de esa forma, provocar un fallo del dispositivo.
- Mantenga todos los cables conectados mientras transporte el rúter/coordinador de largo alcance para evitar que los conectores sufran daños por humedad y corrosión.

# 3 INSTALACIÓN



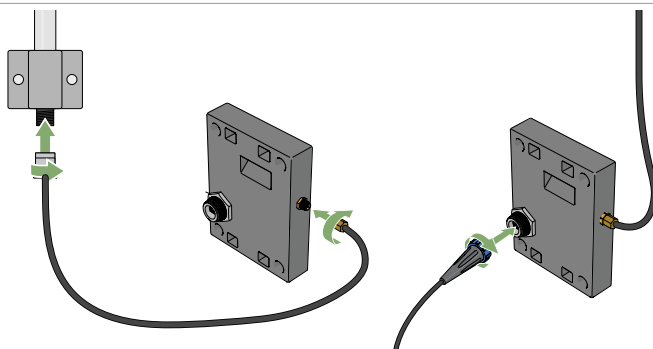
Puede encontrar información detallada sobre la instalación del sistema CowManager en el Manual de Instalación del sistema CowManager. Escanee el código QR para ver el Manual de Instalación del sistema CowManager completo en Internet.

## 3.1 Notas importantes relativas a la instalación

- i** Para poder usar el coordinador/rúter de largo alcance, primero debe activarlo y configurarlo en su Centro de Control de CowManager. Asegúrese de que la antena del coordinador/rúter de largo alcance esté conectada antes de configurar el dispositivo. Puede encontrar más detalles sobre la activación del coordinador/rúter de largo alcance en el Manual de Instalación del sistema CowManager.
- La longitud del cable USB suministrado es de **3 m** para el coordinador/rúter de largo alcance. Por motivos funcionales, ¡no se permite el uso de cables alargadores USB y concentradores USB secundarios!
- Tanto el anillo azul del cable USB como el conector de la antena deben apretarse bien a mano. **No use alicates para apretarlos.**
- ¡Es necesario tener acoplado el coordinador de largo alcance al ordenador de sobremesa/portátil en todo momento! El ordenador de sobremesa/portátil garantiza que el coordinador reciba alimentación, así como la recopilación y el procesamiento de los datos recibidos por los sensores y rúteres presentes en la red. Asegúrese de que el ordenador de sobremesa/portátil siempre esté encendido y conectado a Internet y de que el modo de suspensión de Windows esté desactivado.
- Para disponer de una cobertura de señal óptima, la antena del coordinador/rúter de largo alcance debe colocarse a unos **4,5 m** por encima del suelo.
  - Para una conexión óptima, asegúrese de que el campo visual frente a otros dispositivos permanezca despejado, con la antena en posición vertical orientada hacia arriba.
  - Asegúrese de que haya una distancia de al menos **1 m** entre el tejado y la antena.
- En el caso de la instalación de un rúter, se deberá usar el adaptador de corriente suministrado como fuente de alimentación.
- Los tornillos y bridas para cables suministrados pueden usarse para montar el coordinador/rúter de largo alcance.
- Impermeabilice el cable coaxial con la cinta impermeable suministrada.

## 3.2 Instrucciones de instalación

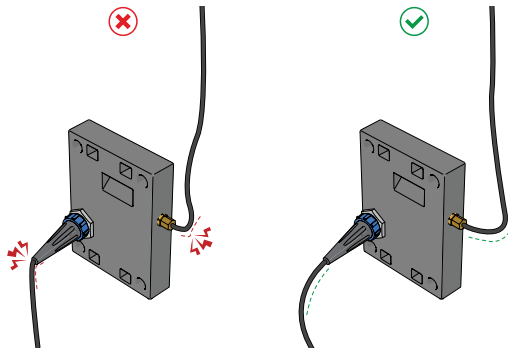
---



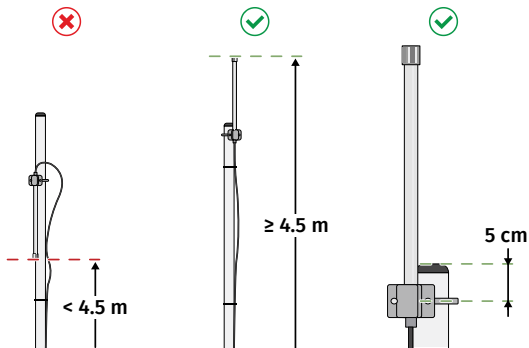
1. Enrosque la antena en el cable coaxial suministrado.
2. Enrosque el otro extremo del cable coaxial en el dispositivo WIB2100. **Apriételo a mano, no use alicates.**
3. Enchufe y enrosque el cable USB. **Apriételo a mano, no use alicates.**
4. Monte la antena de 4,5 m en una posición alta en el poste de la antena.
5. Enchufe el extremo USB A del cable USB en el adaptador de corriente y conecte el adaptador a una toma de corriente cercana.

## Ejemplos de instalaciones correctas e incorrectas

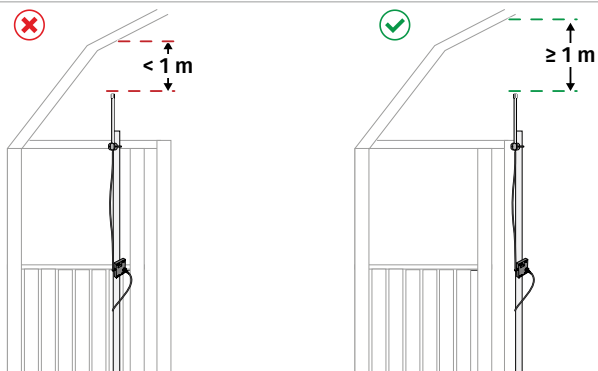
Evite doblar de forma muy pronunciada los cables.



Coloque la antena a 4,5 m, orientada hacia arriba.



Si la instalación se realiza dentro de un edificio, colóquela siempre a 1 m de distancia del tejado.



## Significado de las luces LED del coordinador de largo alcance y del rúter de largo alcance

Color de la luz LED	Estado de la luz LED	Coordinador de largo alcance	Rúter de largo alcance
	Encendido	Alimentación	Alimentación
	Encendido	Registrando los sensores auriculares	
	Parpadeo		Intentando encontrar otro rúter (de largo alcance) o coordinador (de largo alcance)
	Parpadeo rápido		Se han recibido demasiados datos, riesgo de pérdida de datos
	Encendido	Conexión activa con un rúter (de largo alcance)	Hay otro rúter (de largo alcance) conectado
	Encendido	Conexión activa con un ordenador	Conexión activa con un coordinador (de largo alcance) o rúter (de largo alcance)
	Parpadeo	Se ha perdido la conexión	Conectado a otro rúter (de largo alcance), pero no al coordinador (de largo alcance) (aún)
	Parpadeo rápido		Se ha perdido la conexión; intentando conectar de nuevo
	Encendido	Coordinador de largo alcance activado, pero sin conexión activa	Sin conexión activa
	Parpadeo	Enviando datos	Enviando datos

## 4 MANTENIMIENTO

El coordinador/rúter de largo alcance y el conector USB azul del cable están moldeados en un material impermeable. El dispositivo puede colocarse al aire libre y es resistente a la lluvia siempre que el cable USB y la antena estén conectados correctamente. Si fuese necesario limpiarlo:

- Manipule siempre el coordinador/rúter de largo alcance con cuidado.
- Deja la antena y el cable USB conectados para evitar que el agua penetre en los conectores.
- No se debe sumergir el coordinador/rúter de largo alcance.
- Utilice siempre agua sin aditivos, a una temperatura máxima de 40 °C, y un cepillo suave.
- No seque el coordinador/rúter de largo alcance en un horno o microondas; utilice siempre un trapo.

# 5 SOLUCIÓN DE PROBLEMAS



Para resolver problemas relacionados con la configuración del sistema, el diseño de red, la configuración del ordenador o el rendimiento general de CowManager, consulte el Manual de Instalación del sistema CowManager, disponible en [cowmanager.com/downloads](http://cowmanager.com/downloads).

Si la comunicación no funciona según lo previsto, compruebe lo siguiente:

## **Posición de la antena**

La antena no está en posición vertical. Consulte «Instrucciones de instalación».

Asegúrese de que la antena esté bien acoplada y en posición vertical orientada hacia arriba. Posicionar de forma incorrecta la antena puede reducir de forma significativa la intensidad de la señal.

## **Alimentación eléctrica**

- Compruebe que el coordinador/rúter de largo alcance esté recibiendo alimentación eléctrica. La luz roja le indicará esta información.
- En el caso de un coordinador, confirme que el cable USB esté bien conectado al ordenador de sobremesa/portátil.
- En el caso de un rúter, asegúrese de que el adaptador de corriente esté bien conectado.

## **Cables y conectores**

Inspeccione el cable USB, la conexión de la antena y los conectores para asegurarse de que no presenten daños o piezas sueltas y no estén corroídos ni muy doblados.

## **Indicadores LED**

Compruebe el estado de la luz LED del dispositivo y compárelo con las descripciones de la luz LED contenidas en este manual para determinar el estado operativo actual del coordinador/rúter de largo alcance.

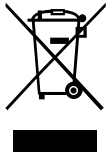
## **Condiciones ambientales**

El rango de temperatura de funcionamiento del coordinador/rúter está entre los -20 °C y los 40 °C. Usar el dispositivo fuera de este rango puede reducir el rendimiento o provocar daños permanentes.

### **Dispositivo averiado**

Si el dispositivo no funciona según lo esperado tras haber realizado las comprobaciones anteriores, el coordinador/rúter está defectuoso. Para confirmarlo, acople el dispositivo al ordenador y vuelva a configurar el dispositivo; si no aparece visible, contacte con **support@cowmanager.com**.

## 6 ELIMINACIÓN



El coordinador/rúter de largo alcance está marcado con este símbolo. Esto significa que los productos eléctricos y electrónicos **no** deben mezclarse con la basura doméstica general. Existe un sistema de recogida especial para este tipo de productos.

**Atención:** Si desea desechar este dispositivo, llévelo a los puntos de recogida de residuos electrónicos. Deshacerse de este producto de forma correcta ayuda a ahorrar recursos valiosos y evita potenciales efectos nocivos sobre la salud humana y el medioambiente, que se podrían producir si los residuos no se eliminan debidamente. Póngase en contacto con las autoridades locales para más información sobre el punto de recogida de residuos electrónicos más cercano a usted.

# 7 CONFORMIDAD CON LOS REQUISITOS NORMATIVOS

El WIB2100 cumple con la Directiva 2011/65/UE sobre restricciones a la utilización de determinadas sustancias peligrosas en aparatos eléctricos y electrónicos (Directiva RoHS).

La operación de este equipo está sujeta a las siguientes dos condiciones:

1. es posible que este equipo o dispositivo no cause interferencia perjudicial y
2. este equipo o dispositivo debe aceptar cualquier interferencia, incluyendo la que pueda causar su operación no deseada.

## 7.1 Declaraciones de conformidad con la normativa de la Comisión Federal de Comunicaciones de EE. UU. (FCC) y el Departamento de Industria de Canadá (IC)

### **Declaración de conformidad con la normativa de la FCC de EE. UU.**

Este equipo ha sido examinado y se ha comprobado que cumple los límites de los dispositivos digitales de la clase A, según la sección 15 del Reglamento de la FCC (Federal Communication Commission, Comisión Federal de Comunicaciones de EE. UU.). Estos límites se han establecido para proporcionar una protección razonable frente a interferencias perjudiciales en caso de una instalación residencial. Este equipo genera, utiliza y puede emitir energía de radiofrecuencia y, si no se instala de acuerdo con las instrucciones, puede causar interferencias perjudiciales para las radiocomunicaciones. Es probable que el uso de este equipo en un área residencial provoque interferencias perjudiciales, en cuyo caso el usuario deberá corregir las interferencias por su propia cuenta. Sin embargo, no se garantiza que tales interferencias no puedan producirse en una instalación concreta. Si el equipo causa interferencias perjudiciales en la recepción de radio o televisión, lo que puede determinarse encendiendo y apagando dicho equipo, se recomienda que el usuario trate de corregir la interferencia aplicando una o varias de las medidas siguientes:

- Reoriente o traslade la antena receptora.
- Aumente la separación entre el equipo y el receptor.
- Conecte el equipo a una toma en un circuito diferente del circuito al que esté conectado el receptor.

Título 47 del Código de Reglamentos Federales (Code of Federal Regulations, CFR),  
sección 2.1077 - Información sobre cumplimiento normativo

**Declaración de conformidad del proveedor**

Identificador único:

Y8K-WIB2100

Responsable - Información de contacto en  
EE. UU.:

CowManager USA  
N5841 State Hwy 47-55  
Shawano, WI 54166  
Estados Unidos

**Declaración de conformidad con la normativa de la FCC (Federal Communication  
Commission, Comisión de Comunicaciones Federales)**

El dispositivo cumple con la Sección 15 del Reglamento de la FCC.

La operación de este equipo está sujeta a las siguientes dos condiciones:

1. es posible que este equipo o dispositivo no cause interferencia perjudicial y
2. este equipo o dispositivo debe aceptar cualquier interferencia, incluyendo la que pueda causar su operación no deseada.

Cualquier cambio o modificación no aprobado por la parte responsable del cumplimiento puede anular la autorización del usuario para utilizar el equipo. Para garantizar el cumplimiento de las reglas de la FCC, use solo los cables de interfaz blindados incluidos con el producto, así como componentes o accesorios adicionales específicos que puedan usarse en la instalación del producto. A fin de cumplir con los límites de exposición a la radiación de la radiofrecuencia de la FCC y de Industry Canada (Departamento de Industria de Canadá) para la población general, la antena o antenas que se usen para este transmisor deben instalarse de manera que se mantenga una separación mínima de 20 cm entre el radiador (la antena) y todas las personas en todo momento, no debiendo colocarse ni usarse junto con ninguna otra antena o transmisor.

**Advertencia (parte 15.21)**

Cualquier cambio o modificación no aprobado por la parte responsable del cumplimiento puede anular la autorización del usuario para utilizar el equipo.

## 7.2 Homologaciones

El logotipo de la certificación de homologación puede verse en el producto (consulte el **capítulo 1.2 Símbolos y marcado** & **1.4 Placa de identificación**). En caso de limitaciones de espacio, el logotipo de homologación a efectos de la certificación podrá colocarse en el embalaje de acuerdo con la normativa.

**logotipo de aprobación**



**País**

**Nueva Zelanda (Aotearoa)**



FCC ID: Y8K-WIB2100

**Estados Unidos**



**CowManager B.V.**

Gerverscop 9, 3481 LT Harmelen  
The Netherlands

+31 (0)348 443 840

[support@cowmanager.com](mailto:support@cowmanager.com)

[sales@cowmanager.com](mailto:sales@cowmanager.com)

[www.cowmanager.com](http://www.cowmanager.com)

V1.0

